

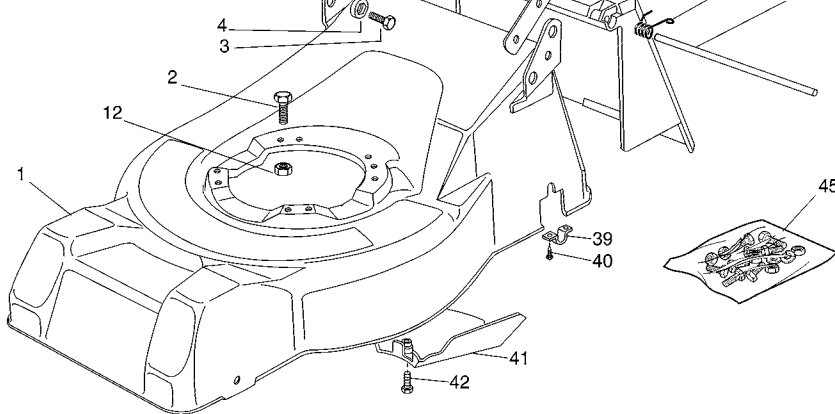
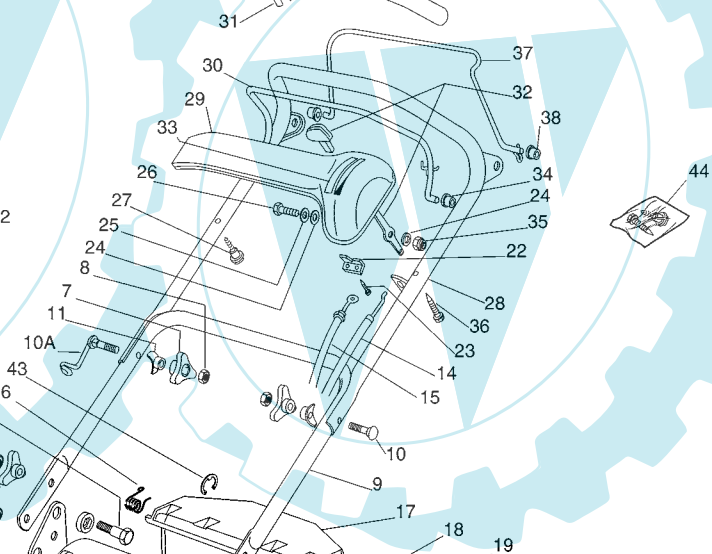
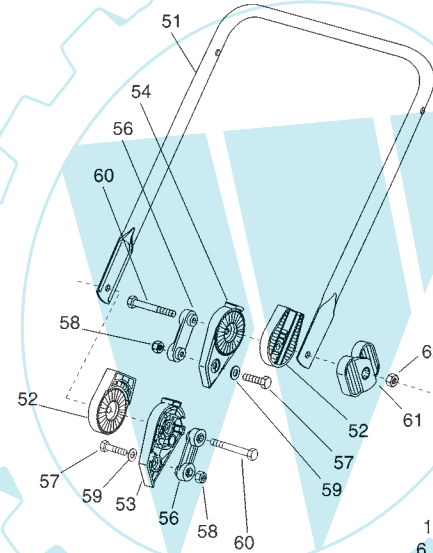
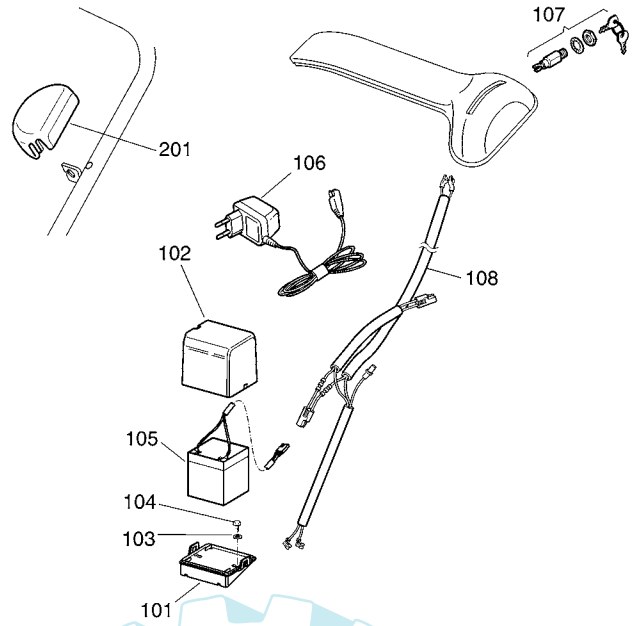
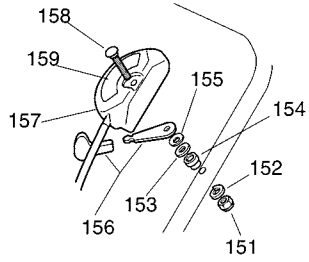
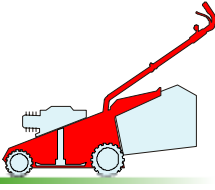
# NG 504 TR/TR-E



GLOBAL GARDEN PRODUCTS

**1**

01D\_NG504TR



Pos.	Code	Q.ty	Descrizione	Description	Description	Beschreibung	Remarks
1	81001609/0	1	CHASSIS GIALLO	DECK YELLOW	CHÂSSIS JAUNE	GEHÄUSE GELB	(NG 504 TR)
-	81001608/0	1	CHASSIS ROSSO	DECK RED	CHÂSSIS ROUGE	GEHÄUSE ROT	(NG 504 TR)
-	81001610/0	1	CHASSIS VERDE	DECK GREEN	CHÂSSIS VERT	GEHÄUSE GRÜN	(NG 504 TR)

## NG 504 TR/TR-E



58

## GLOBAL GARDEN PRODUCTS

Pos.	Code	Q.ty	Descrizione	Description	Description	Beshreibung	Remarks
1	81001670/0	1	CHASSIS GIALLO	DECK YELLOW	CHÂSSIS JAUNE	GEHÄUSE GELB	(NG 504 TR-E)
-	81001669/0	1	CHASSIS ROSSO	DECK RED	CHÂSSIS ROUGE	GEHÄUSE ROT	(NG 504 TR-E)
-	81001671/0	1	CHASSIS VERDE	DECK GREEN	CHÂSSIS VERT	GEHÄUSE GRÜN	(NG 504 TR-E)
2	12793701/0	3/2	VITE	SCREW	VIS	SCHRAUBE	
-	12691800/0	0/1	VITE	SCREW	VIS	SCHRAUBE	
3	12792610/0	2	VITE	SCREW	VIS	SCHRAUBE	
4	22041955/0	4	BUSSOLA	BUSH	DOUILLE	BUCHSE	
5	12155000/0	2	DADO	NUT	ECROU	MUTTER	
6	12793700/0	2	VITE	SCREW	VIS	SCHRAUBE	
7	22399900/0	4	MANOPOLINA	KNOB	POIGNÉE	GRIFF	
8	12293200/0	4	DADO	NUT	ECROU	MUTTER	
9	81006990/0	1	MANICO INFERIORE	HANDLE, LOWER PART	MANCHERON INFERIEURE	HOLM, UNTERTEIL	
10	12819201/0	1	VITE	SCREW	VIS	SCHRAUBE	
10A	81003801/1	1	MOLLA GUIDA	GUIDE SPRING	RESSORT DE GUIDE	FEDER FÜHRER	
11	22680006/1	2	ROSETTA	WASHER	RONDELLE	SCHEIBE	
12	12155000/0	0/1	DADO	NUT	ECROU	MUTTER	
-	12293201/0	3/2	DADO	NUT	ECROU	MUTTER	
14	81007160/0	1	CAVO ACCELERATORE	CABLE, TROTTLE	CABLE, ACCELERATEUR	KABEL, BESCHLEUNIGER	
15	81000631/0	1	CAVO FRENO MOTORE	CABLE, THREAD MOTOR BRAKE	CABLE FREIN MOTEUR	KABEL, MOTORBREMSE	(B&S / QUANTUM / ES45)
-	81000625/0	1	CAVO FRENO MOTORE	CABLE, THREAD MOTOR BRAKE	CABLE FREIN MOTEUR	KABEL, MOTORBREMSE	(B&S CLASSIC/ SPRINT/LS/LC)
-	81000640/0	1	CAVO FRENO MOTORE	CABLE, THREAD MOTOR BRAKE	CABLE FREIN MOTEUR	KABEL, MOTORBREMSE	(HONDA GVC 135/160 NG504 TR)
-	81000629/1	1	CAVO FRENO MOTORE	CABLE, THREAD MOTOR BRAKE	CABLE FREIN MOTEUR	KABEL, MOTORBREMSE	(TECUMSEH)
16	22450410/1	1	MOLLA DX	R SPRING	RESSORT D	RECHTE FEDER	
17	22600028/4	1	PARASASSI	STONE-GUARD	PARE-PIERRES	PRALLBLECH	
18	22450420/1	1	MOLLA SX	L SPRING	RESSORT G	LINKE FEDER	
19	22517906/1	1	PERNO	PIN	PIVOT	BOLZEN	
22	22981467/0	1	PIASTRINA	PLATE	PLAQUETTE	PLÄTTCHEN	
23	12735105/0	2	VITE	SCREW	VIS	SCHRAUBE	
24	12523040/0	2	ROSETTA	WASHER	RONDELLE	SCHEIBE	
25	12530060/0	1	ROSETTA ELASTICA	SPRING WASHER	RONDELLE ELASTIQUE	ELASTISCHE SCHEIBE	
26	12791500/0	1	VITE	SCREW	VIS	SCHRAUBE	
27	22943006/0	1	VITE	SCREW	VIS	SCHRAUBE	
28	81007024/0	1	MANICO SUPERIORE	HANDLE, UPPER PART	MANCHERON SUPERIEURE	HOLM, OBERTEIL	
29	22120152/0	1	CRUSCOTTO GIALLO	DASH BOARD YELLOW	CONSOLE JAUNE	KONSOLE GELBE	
-	22120158/0	1	CRUSCOTTO NERO	DASH BOARD BLACK	CONSOLE NOIRE	KONSOLE SCHWARZE	
-	22120154/0	1	CRUSCOTTO ROSSO	DASH BOARD RED	CONSOLE ROUGE	KONSOLE ROTE	
30	81003291/3	1	LEVA FRENO MOTORE	LEVER, MOTOR BRAKE	LEVIER FREIN MOTEUR	HEBEL, MOTORBREMSE	
31	22291052/0	1	IMPUGNATURA MANICO GIALLA	HANDGRIP YELLOW	POIGNÉE JAUNE	HANDGRIFF GELBER	
-	22291050/0	1	IMPUGNATURA MANICO NERA	HANDGRIP BLACK	POIGNÉE NOIRE	HANDGRIFF SCHWARZER	
-	22291051/0	1	IMPUGNATURA MANICO ROSSA	HANDGRIP RED	POIGNÉE ROUGE	HANDGRIFF RÖTER	
32	81007280/2	1	LEVA, ACCELERATORE	LEVER, THROTTLE	LEVIER, ACCELERATEUR	HEBEL, BESHLEUNIGER	
33	14356744/0	1	ETICHETTA	LABEL	ETIQUETTE	ETIKETTE	(B&S)
-	14356743/0	1	ETICHETTA	LABEL	ETIQUETTE	ETIKETTE	(HONDA)
-	14361129/0	1	ETICHETTA	LABEL	ETIQUETTE	ETIKETTE	(SUMEC)
-	14357646/0	1	ETICHETTA	LABEL	ETIQUETTE	ETIKETTE	(TECUMSEH)
34	22041966/0	2	BUSSOLA	BUSH	DOUILLE	BUCHSE	
35	12154510/0	1	DADO	NUT	ECROU	MUTTER	
36	12728460/0	1	VITE	SCREW	VIS	SCHRAUBE	
37	81003288/1	1	LEVA TRAZIONE	DRIVING LEVER	LEVIER TRACTION	ANTRIEBHEBEL	
38	22041965/1	2	BUSSOLA	BUSH	DOUILLE	BUCHSE	
39	22545152/0	2	PIASTRINA	PLATE	PLAQUETTE	PLÄTTCHEN	
40	12731350/0	4	VITE	SCREW	VIS	SCHRAUBE	
41	22060190/0	1	CARTER CINGHIA	PROTECTION, BELT	PROTECTION COURROIRE	SCHUTZ, RIEMEN	
42	12727791/0	1	VITE	SCREW	VIS	SCHRAUBE	

## NG 504 TR/TR-E



## GLOBAL GARDEN PRODUCTS

Pos.	Code	Q.ty	Descrizione	Description	Description	Beshreibung	Remarks
43	1200930/0	1	ANELLO ELASTICO	SNAP RING	ANNEAU RESSORT	SPRENGRING	
44	81008609/0	1	DOTAZIONE VITERIA CRUSCOTTO	OUTFIT, DASH-BOARD SCREWS	DOTATION VISSERIE CONSOLLE	SATZ, KONSOLE SCHRAUBEN	
45	81008614/3	1	DOTAZIONE VITERIA	OUTFIT, SCREWS	DOTATION VISSERIE	SATZ, SCHRAUBEN	

## VARIANTE REGOLAZIONE MANICO - HANDLE ADJUSTMENT MODIFICATION - MODIFICATION REGLAGE POIGNEE - ÄNDERUNG GRIFFENSTEEL

Pos.	Code	Q.ty	Descrizione	Description	Description	Beshreibung	Remarks
51	81006532/0	1	MANICO INFERIORE	HANDLE, LOWER PART	MANCHERON INFERIEURE	HOLM, UNTERTEIL	
52	22785081/1	2	SUPPORTO ESTERNO	SUPPORT, EXTERNAL	SUPPORT EXTERNE	HALTER, AUßERE	
53	22785082/0	1	SUPPORTO INTERNO DX	SUPPORT, R INTERNAL	SUPPORT INTERNE D	HALTER, INNERE R	
54	22785083/1	1	SUPPORTO INTERNO SX	SUPPORT, L INTERNAL	SUPPORT INTERNE G	HALTER, INNERE L	
56	22551575/0	2	PIASTRINA INTERNA	PLATE, INSIDE	PLAQUETTE INTERNE	PLATTE, INNERE	
57	12793701/0	2	VITE	SCREW	VIS	SCHRAUBE	
58	12155000/0	2	DADO	NUT	ECROU	MUTTER	
59	12521350/0	2	ROSETTA	WASHER	RONDELLE	SCHEIBE	
60	12691810/0	2	VITE	SCREW	VIS	SCHRAUBE	
61	22399803/0	2	MANOPOLINA	KNOB	POIGNÉE	GRIFF	
62	12293202/0	2	DADO	NUT	ECROU	MUTTER	
63	81008623/1	1	DOTAZIONE VITERIA	OUTFIT, SCREWS	DOTATION VISSERIE	SATZ, SCHRAUBEN	

## VARIANTI PER AVVIAMENTO ELETTRICO - PARTS FOR ELECTIC START - COMPOSANTS POUR DÉMARRAGE ÉLECTRIQUE - ELEKTROSTART BESTANDTEILE

Pos.	Code	Q.ty	Descrizione	Description	Description	Beshreibung	Remarks
101	22785123/0	1	SUPPORTO BATTERIA	SUPPORT, BATTERY	SUPPORT BATTERIE	HALTER, BATTERIE	(B&S - TECUMSEH CENTURA)
-	22785122/0	1	SUPPORTO BATTERIA	SUPPORT, BATTERY	SUPPORT BATTERIE	HALTER, BATTERIE	(TECUMSEH PRISMA)
102	22109530/0	1	COPERCHIO	COVER	COUVERCLE	DECKEL	
103	12521310/0	2	ROSETTA	WASHER	RONDELLE	SCHEIBE	(B&S - TECUMSEH CENTURA)
104	12731590/0	2	VITE	SCREW	VIS	SCHRAUBE	(B&S - TECUMSEH CENTURA)
-	12728520/0	2	VITE	SCREW	VIS	SCHRAUBE	(TECUMSEH PRISMA)
105	18120052/0	1	BATTERIA	BATTERY	BATTERIE	BATTERIE	
106	18204120/0	1	CARICA BATTERIA	BATTERY CHARGER	CHARGEUR DE BATTERIE	LADGERÄT	
-	18204121/0	1	CARICA BATTERIA	BATTERY CHARGER	CHARGEUR DE BATTERIE	LADGERÄT	(UK)
107	18450050/0	1	INTERRUTTORE	SWITCH	INTERRUPTEUR	SCHALTER	
108	18204192/2	1	CAVO AVVIAMENTO	CABLE, START	CABLE DÉMARRAGE	KABEL, START	(B&S)
-	18204190/3	1	CAVO AVVIAMENTO	CABLE, START	CABLE DÉMARRAGE	KABEL, START	(TECUMSEH)

## VARIANTE ACCELERATORE - THROTTLE MODIFICATION - MODIFICATION COMMANDE D'ACCELERATION - ÄNDERUNGEN AUF GASHEBEL

Pos.	Code	Q.ty	Descrizione	Description	Description	Beshreibung	Remarks
151	12291000/0	1	DADO	NUT	ECROU	MUTTER	
152	12581500/0	1	GROWER	GROWER	GROWER	FEDERRING	
153	22171005/0	1	DISTANZIALE	SPACER	ENTRETOISE	DISTANZRING	
154	12521360/0	1	ROSETTA	WASHER	RONDELLE	SCHEIBE	
155	12508100/0	1	ROSETTA ELASTICA	SPRING WASHER	RONDELLE ELASTIQUE	ELASTISCHE SCHEIBE	
156	81007279/1	1	LEVA, ACCELERATORE	LEVER, THROTTLE	LEVIER, ACCELERATEUR	HEBEL, BESHLEUNIGER	
157	81007080/0	1	CAVO ACCELERATORE	CABLE, TROTTLE	CABLE, ACCELERATEUR	KABLE, BESCHLEUNIGER	
158	12815000/0	1	VITE	SCREW	VIS	SCHRAUBE	
159	14356703/0	1	ETICHETTA	LABEL	ETIQUETTE	ETIKETTE	(B&S)
-	14356702/0	1	ETICHETTA	LABEL	ETIQUETTE	ETIKETTE	(HONDA)
-	14360197/0	1	ETICHETTA	LABEL	ETIQUETTE	ETIKETTE	(SUMEC)
-	14356905/0	1	ETICHETTA	LABEL	ETIQUETTE	ETIKETTE	(TECUMSEH)

## VARIANTE REGIME FISSO - FIXED SPEED MODIFICATION - MODIFICATION POUR MODÈLE À REGIME FIXE - ÄNDERUNGEN FÜR MODELLE MIT FESTEN DRENZAHL

Pos.	Code	Q.ty	Descrizione	Description	Description	Beshreibung	Remarks
201	22601000/0	1	PROTEZIONE	PROTECTION	PROTECTION	SCHUTZ	

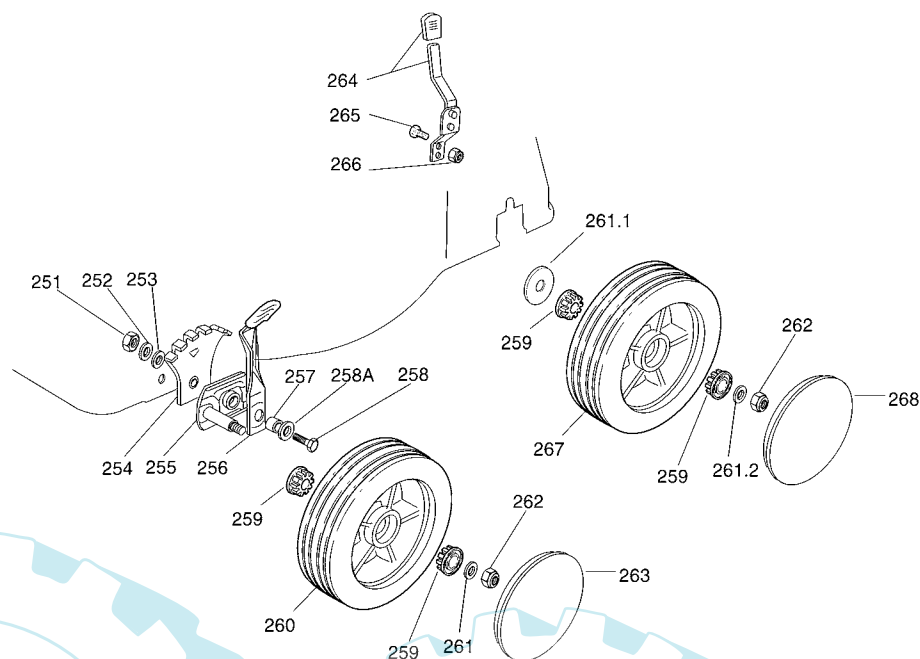
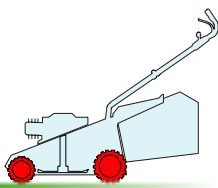


58

GLOBAL GARDEN PRODUCTS

2

02D\_003



Pos.	Code	Q.ty	Descrizione	Description	Description	Beshreibung	Remarks
251	12293200/0	2	DADO	NUT	ECROU	MUTTER	
252	12583500/0	2	GROWER	GROWER	GROWER	FEDERRING	
253	12523070/0	2	ROSETTA	WASHER	RONDELLE	SCHEIBE	
254	22735547/0	2	SETTORE REGOLAZIONE ALTEZZA	SECTOR, HEIGHT ADJUSTMENT	SECTEUR REGLAGE HAUTEUR	SEKTOR, HÖNEVERSTELLUNG	
255	81005082/0	2	SUPPORTO RUOTA	SUPPORT, WHEEL	SUPPORT ROUE	HALTER, RAD	
256	81003285/1	2	LEVA REGOLAZIONE ALTEZZA	LEVER, HEIGHT ADJUSTMENT	LEVIER REGLAGE HAUTEUR	HEBEL, HÖNEVERSTELLUNG	
257	22171001/0	2	DISTANZIALE	SPACER	ENTRETOISE	DISTANZRING	
258	12793701/0	2	VITE	SCREW	VIS	SCHRAUBE	
258A	12521350/0	2	ROSETTA	WASHER	RONDELLE	SCHEIBE	
259	22034508/0	8	BUSSOLA	BUSH	DOUILLE	BUCHSE	
260	81007326/0	4	RUOTA Ø 170	WHEEL Ø 170	ROUE Ø 170	RAD. Ø 170	
261	12523060/0	2	ROSETTA	WASHER	RONDELLE	SCHEIBE	
261.1	21660100/0	2	RALLA	WASHER	RONDELLE	SCHEIBE	
261.2	25670011/0	2	ROSETTA	WASHER	RONDELLE	SCHEIBE	
262	12155000/0	4	DADO	NUT	ECROU	MUTTER	
263	22110262/0	2	COPRIMOZZO BIANCO	HUB CAP WHITE	COUVRE-MOYEU BLANC	RADKAPPE WEIßE	
-	22110263/0	2	COPRIMOZZO GIALLO	HUB CAP YELLOW	COUVRE-MOYEU JAUNE	RADKAPPE GELBE	
-	22110264/0	2	COPRIMOZZO ROSSO	HUB CAP RED	COUVRE-MOYEU ROUGE	RADKAPPE ROTE	
264	81003279/2	1	LEVA REGOLAZIONE ALTEZZA	LEVER, HEIGHT ADJUSTMENT	LEVIER REGLAGE HAUTEUR	HEBEL, HÖNEVERSTELLUNG	
265	12789000/0	2	VITE	SCREW	VIS	SCHRAUBE	
266	12154330/0	2	DADO	NUT	ECROU	MUTTER	
267	81007328/0	2	RUOTA Ø 210	WHEEL Ø 210	ROUE Ø 210	RAD. Ø 210	
268	22110265/0	2	COPRIMOZZO BIANCO	HUB CAP WHITE	COUVRE-MOYEU BLANC	RADKAPPE WEIßE	
-	22110266/0	2	COPRIMOZZO GIALLO	HUB CAP YELLOW	COUVRE-MOYEU JAUNE	RADKAPPE GELBE	
-	22110267/0	2	COPRIMOZZO ROSSO	HUB CAP RED	COUVRE-MOYEU ROUGE	RADKAPPE ROTE	

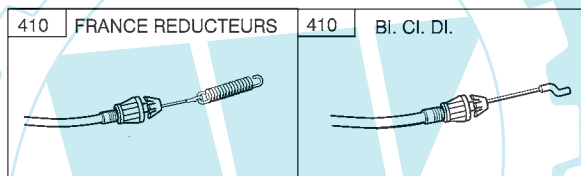
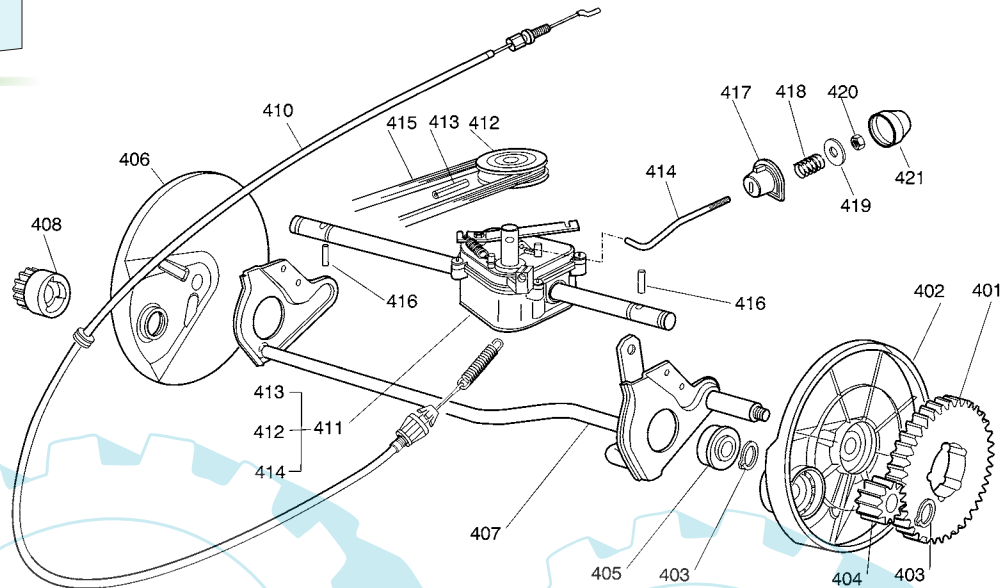
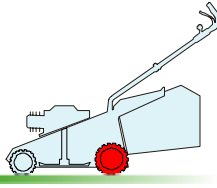


58

GLOBAL GARDEN PRODUCTS

3

03D\_001



Pos.	Code	Q.ty	Descrizione	Description	Description	Beshreibung	Remarks
401	22120105/1	2	CORONA	RING GEAR	COURONNE	KRANZ	
402	22600093/0	1	PROT. RUOTE SX	PROTECTION, L WHEEL	PROTECTION ROUE G	SCHÜTZ, LINKES RÄDER	
403	12608600/0	4	SEEGER	SEEGER	SEEGER	SEEGER	
404	22570120/1	1	PIGNONE SX	PINION L	PIGNON G	RITZEL LINKES	
405	19216035/0	2	CUSCINETTO	BEARING	COUSSINET	LAGER	
406	22600092/0	1	PROT. RUOTE DX	PROTECTION, R WHEEL	PROTECTION ROUE D	SCHÜTZ, RECHTES RÄDER	
407	81000147/0	1	ASSE RUOTE POSTERIORE	AXLE, REAR WHEELS	AXE ROUES ARRIERE	ACHSE, HINTERRAD	
408	22570110/1	1	PIGNONE DX	PINION R	PIGNON D	RITZEL RECHTES	
410	81000672/0	1	CAVO COMANDO TRAZIONE	CABLE, REAR DRIVE	CÂBLE, COMMANDE TRACTION	KABEL, ANTRIEB	(BI. CI. DI.)
-	81000668/0	1	CAVO COMANDO TRAZIONE	CABLE, REAR DRIVE	CÂBLE, COMMANDE TRACTION	KABEL, ANTRIEB	(FRANCE REDUCTEURS)
411	81003076/0	1	GRUPPO TRAZIONE	GEAR BOX	GROUPE TRACTION	ANTRIEB	
-	81003081/1	1	GRUPPO TRAZIONE (GRIGIO)	GEAR BOX (GREY)	GROUPE TRACTION (GRIS)	ANTRIEB (GRAU)	(BI.CI.DI.)
412	22601904/0	1	PULEGGIA	PULLEY	POULIE	RIEMENSCHIEBE	
413	12645705/0	1	SPINA	PIN	GOUPILLE	STIFT	
414	22033280/0	1	ASTA REGOLAZIONE	ADJUSTMENT ROD	TIGE REGLAGE	VERSTELLUNGSTANGE	(BI.CI.DI.)
-	22033283/0	1	ASTA REGOLAZIONE	ADJUSTMENT ROD	TIGE REGLAGE	VERSTELLUNGSTANGE	(FRANCE REDUCTEURS)
415	35063900/0	1	CINGHIA Z 28	BELT Z 28	COURROIE Z 28	RIEMEN Z 28	
416	22753000/0	2	SPINA	PIN	GOUPILLE	STIFT	
417	22041957/1	1	BUSSOLA	BUSH	DOUILLE	BUCHSE	
418	22450063/0	1	MOLLA	SPRING	RESSORT	FEDER	
419	22680009/0	1	ROSETTA	WASHER	RONDELLE	SCHEIBE	
420	12154510/0	1	DADO	NUT	ECROU	MUTTER	
421	22110230/0	1	TAPPO	CAP	BOUCHON	GUMMISTOPFEN	



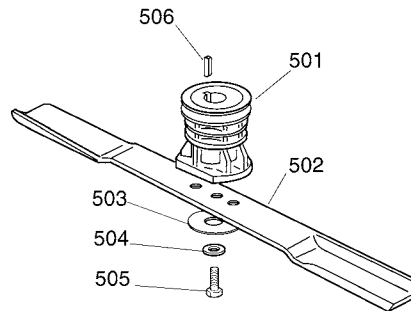
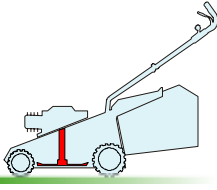


58

GLOBAL GARDEN PRODUCTS

5

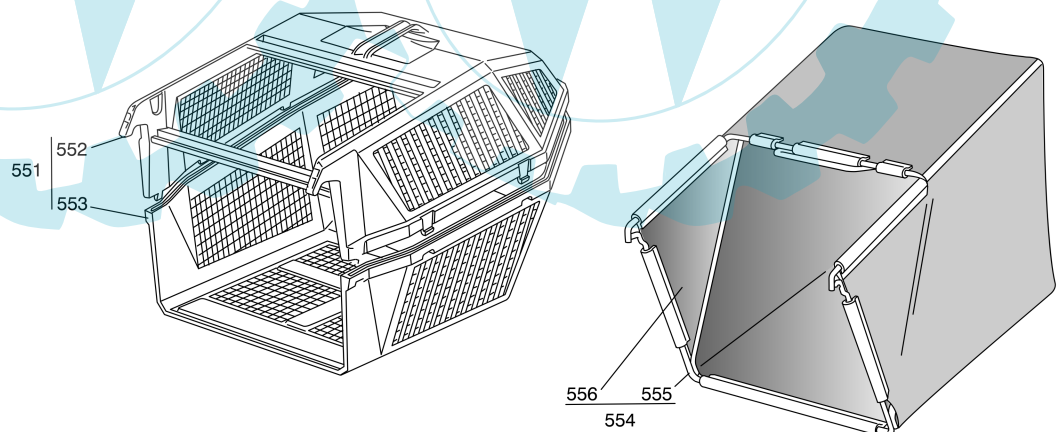
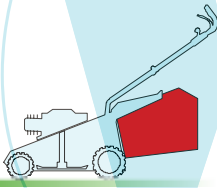
05D\_003



Pos.	Code	Q.ty	Descrizione	Description	Description	Beshreibung	Remarks
501	22465607/0	1	MOZZO CON PULEGGIA	HUB WITH PULLEY	MOYEU AVEC POULIE	NABE MIT SCHEIBE	
502	81004395/1	1	COLTELLO ALETTATO	BLADE WINGED	LAME AILETTÉE	MESSER FLÜGEL	
-	81004366/2	1	COLTELLO STANDARD	BLADE STANDARD	LAME STANDARD	MESSER STANDARD	
503	22160400/0	1	DISCO ELASTICO	ELASTIC WASHER	DISQUE ELASTIQUE	FEDERSCHEIBE	
504	12523080/0	1	ROSETTA	WASHER	RONDELLE	SCHEIBE	
505	12735698/0	1	VITE	SCREW	VIS	SCHRAUBE	
506	12139100/0	1	LINGUETTA	FEATHER	CLAVETTE	KEIL	

6

06D\_001



Pos.	Code	Q.ty	Descrizione	Description	Description	Beshreibung	Remarks
551	98005000/1	1	SACCO, COMPLETO	GRASSCATCHER, COMPLETE	SAC, COMPLETE	SACK, KOMPLETTE	
552	22486076/0	1	SACCO, PARTE SUP	GRASS-BOX, UPPER PART	SAC, PARTIE SUPERIEURE	KORB, OBERTEIL	
553	22486077/0	1	SACCO PARTE INF	GRASS-BOX, LOWER PART	SAC, PARTIE INFERIEURE	KORB, UNTERTEIL	
554	98004000/0	1	SACCO IN TELA, COMPLETO	GRASSCATCHER, CANVASS COMPLETE	SAC EN TOILE, COMPLETE	SACK, KOMPLETTE	
555	81006408/0	1	TELAIO SACCO	CHASSIS BOX	CHÂSSIS BAC	RAHMEN SACK	
556	81002105/2	1	SACCO, TELA	BOX, FABRIC	SAC, TOILE	SACK, TUCK	